

TPA-BNC Adapter Instructions

071-1689-00

www.tektronix.com



071168900

Safety Summary

To avoid potential hazards, use this product only as specified.

To avoid fire or personal injury

Connect and disconnect properly. Connect the TPA-BNC Adapter to the host instrument before connecting the device to the circuit-under-test. Disconnect the device input and ground from the circuit under test before disconnecting the device from the adapter and host instrument.

Ground the product. This product is indirectly grounded through the grounding conductor of the host instrument power cord. To avoid electric shock, the grounding conductor must be connected to earth ground. Before making connections to the input or output terminals of the product, ensure that the product is properly grounded.

Observe all terminal ratings. To avoid fire or shock hazard, observe all ratings and markings on the host instrument. Consult the host instrument documentation for further ratings information before making connections to the host instrument.

Do not apply a potential to any terminal, including the common terminal, that exceeds the maximum rating of that terminal.

Do not operate without covers. Do not operate this product with covers or panels removed.

Do not operate with suspected failures. If you suspect there is damage to this product, have it inspected by qualified service personnel.

Do not operate in wet/damp conditions.

Do not operate in an explosive atmosphere.

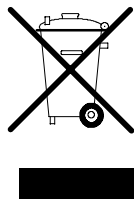
Keep product surfaces clean and dry.

Safety symbols on the product



Environmental Considerations

This section provides information about the environmental impact of the product.



The symbol shown to the left indicates that this product complies with the European Union's requirements according to Directive 2002/96/EC on waste electrical and electronic equipment (WEEE). For information about recycling options, check the Support / Service section of the Tektronix Web site (www.tektronix.com)

Restriction of Hazardous Substances

This product has been classified as Monitoring and Control equipment, and is outside the scope of the 2002/95/EC RoHS Directive. This product is known to contain lead and hexavalent chromium.

Product Description

The TPA-BNC Adapter allows you to use TekProbe™ products (active, differential, high voltage, optical, and current probes) on Tektronix instruments that feature the TekVPI™ interface.

The TPA-BNC Adapter recognizes and supplies the necessary power, communication, and offset control, if applicable, to the connected TekProbe accessory. The LED glows when the adapter is functioning properly.

NOTE. Some Tektronix probes do not require a TPA-BNC Adapter. If your probe connects with either of the following, connect your probe directly to the TekVPI probe interface:

- A BNC connection
- A BNC connection with an encoding pin for attenuation factor detection

Do not use the TPA-BNC Adapter with these probes because this may degrade the system performance.

Installing the Adapter

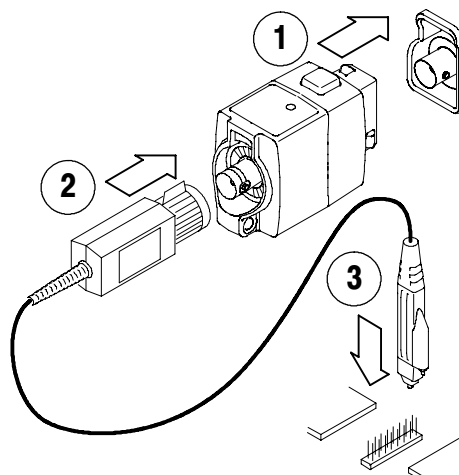


Figure 1: Installing the adapter

Removing the Adapter

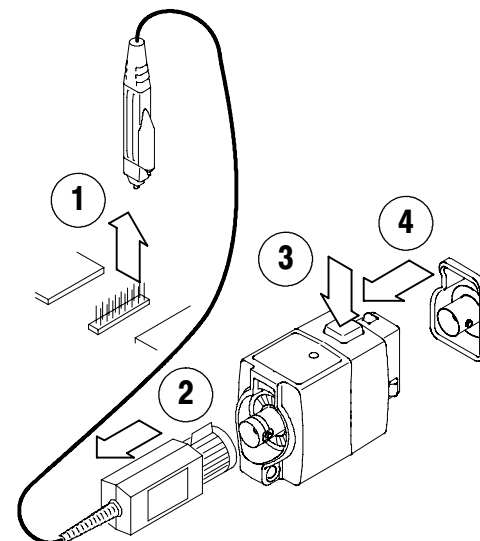


Figure 2: Removing the adapter

Typical Specifications

Bandwidth. DC to 3 GHz (TPA-BNC only) - Refer to the host instrument for the overall system bandwidth.

Maximum Input Voltage. The lesser of 42 Vpk, 30 VRMS, 60 VDC, or the maximum input voltage rating for the host instrument.

VSWR. 1.23:1 up to 3 GHz (TPA-BNC only)- Refer to the host instrument for the overall system VSWR.

Delay Time. 245 ps

Shipping Weight. 0.45 kg (1 lb)

Additional Information

For additional information on using the TPA-BNC Adapter, refer to the documentation for the host instrument.

Warranty Information

For warranty information, go to www.tektronix.com, click Support, and then select Look Up Tektronix Warranty.

TPA-BNC Adapter Instructions (to translate into Japanese)

Safety Summary

To avoid potential hazards, use this product only as specified.

To avoid fire or personal injury

Connect and disconnect properly. Connect the TPA-BNC Adapter to the host instrument before connecting the device to the circuit-under-test. Disconnect the device input and ground from the circuit under test before disconnecting the device from the adapter and host instrument.

Ground the product. This product is indirectly grounded through the grounding conductor of the host instrument power cord. To avoid electric shock, the grounding conductor must be connected to earth ground. Before making connections to the input or output terminals of the product, ensure that the product is properly grounded.

Observe all terminal ratings. To avoid fire or shock hazard, observe all ratings and markings on the host instrument. Consult the host instrument documentation for further ratings information before making connections to the host instrument.

Do not apply a potential to any terminal, including the common terminal, that exceeds the maximum rating of that terminal.

Do not operate without covers. Do not operate this product with covers or panels removed.

Do not operate with suspected failures. If you suspect there is damage to this product, have it inspected by qualified service personnel.

Do not operate in wet/damp conditions.

Do not operate in an explosive atmosphere.

Keep product surfaces clean and dry.

Safety symbols on the product



Product Description

The TPA-BNC Adapter allows you to use TekProbe™ products (active, differential, high voltage, optical, and current probes) on Tektronix instruments that feature the TekVPI interface.

The TPA-BNC Adapter recognizes and supplies the necessary power, communication, and offset control, if applicable, to the connected TekProbe accessory. The LED glows when the adapter is functioning properly.

NOTE. Some Tektronix probes do not require a TPA-BNC Adapter. If your probe connects with either of the following, connect your probe directly to the TekVPI probe interface:

- A BNC connection
- A BNC connection with an encoding pin for attenuation factor detection

Do not use the TPA-BNC Adapter with these probes because this may degrade the system performance.

Installing the Adapter

See Figure 1, *Installing the Adapter*.

Removing the Adapter

See Figure 2, *Removing the Adapter*.

Typical Specifications

Bandwidth. DC to 3 GHz (TPA-BNC only) - Refer to the host instrument for the overall system bandwidth.

Maximum Input Voltage. The lesser of 42 Vpk, 30 VRMS, 60 VDC, or the maximum input voltage rating for the host instrument.

VSWR. 1.23:1 up to 3 GHz (TPA-BNC only)- Refer to the host instrument for the overall system VSWR.

Delay Time. 245 ps

Shipping Weight. 0.45 kg (1 lb)

Additional Information

For additional information on using the TPA-BNC Adapter, refer to the documentation for the host instrument.

Warranty Information

For warranty information, go to www.tektronix.com, click Support, and then select Look Up Tektronix Warranty.

TPA-BNC Adapter Instructions (to translate into Simplified Chinese)

Safety Summary

To avoid potential hazards, use this product only as specified.

To avoid fire or personal injury

Connect and disconnect properly. Connect the TPA-BNC Adapter to the host instrument before connecting the device to the circuit-under-test. Disconnect the device input and ground from the circuit under test before disconnecting the device from the adapter and host instrument.

Ground the product. This product is indirectly grounded through the grounding conductor of the host instrument power cord. To avoid electric shock, the grounding conductor must be connected to earth ground. Before making connections to the input or output terminals of the product, ensure that the product is properly grounded.

Observe all terminal ratings. To avoid fire or shock hazard, observe all ratings and markings on the host instrument. Consult the host instrument documentation for further ratings information before making connections to the host instrument.

Do not apply a potential to any terminal, including the common terminal, that exceeds the maximum rating of that terminal.

Do not operate without covers. Do not operate this product with covers or panels removed.

Do not operate with suspected failures. If you suspect there is damage to this product, have it inspected by qualified service personnel.

Do not operate in wet/damp conditions.

Do not operate in an explosive atmosphere.

Keep product surfaces clean and dry.

Safety symbols on the product



CAUTION
Refer to Manual

Product Description

The TPA-BNC Adapter allows you to use TekProbe™ products (active, differential, high voltage, optical, and current probes) on Tektronix instruments that feature the TekVPI interface.

The TPA-BNC Adapter recognizes and supplies the necessary power, communication, and offset control, if applicable, to the connected TekProbe accessory. The LED glows when the adapter is functioning properly.

NOTE. Some Tektronix probes do not require a TPA-BNC Adapter. If your probe connects with either of the following, connect your probe directly to the TekVPI probe interface:

- A BNC connection
- A BNC connection with an encoding pin for attenuation factor detection

Do not use the TPA-BNC Adapter with these probes because this may degrade the system performance.

Installing the Adapter

See Figure 1, *Installing the Adapter*.

Removing the Adapter

See Figure 2, *Removing the Adapter*.

Typical Specifications

Bandwidth. DC to 3 GHz (TPA-BNC only) - Refer to the host instrument for the overall system bandwidth.

Maximum Input Voltage. The lesser of 42 Vpk, 30 VRMS, 60 VDC, or the maximum input voltage rating for the host instrument.

VSWR. 1.23:1 up to 3 GHz (TPA-BNC only)- Refer to the host instrument for the overall system VSWR.

Delay Time. 245 ps

Shipping Weight. 0.45 kg (1 lb)

Additional Information

For additional information on using the TPA-BNC Adapter, refer to the documentation for the host instrument.

Warranty Information

For warranty information, go to www.tektronix.com, click Support, and then select Look Up Tektronix Warranty.